



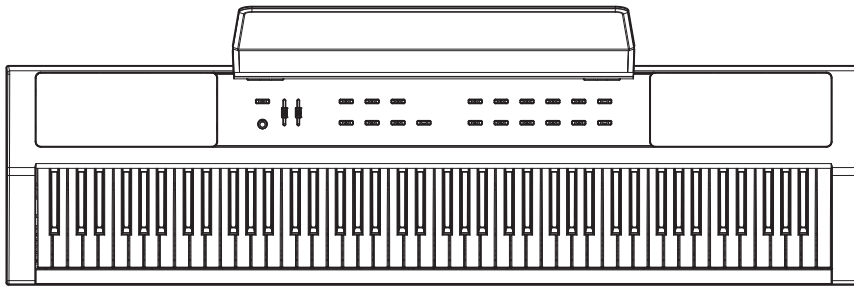
# WILLIAMS

## WILLIAMS ALLEGRO III IN-HOME PACK ASSEMBLY INSTRUCTIONS

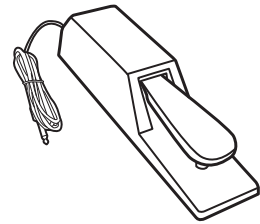
Congratulations! You have just purchased a state of the art digital piano that provides remarkable acoustic sound and feel. We recommend that you read through this assembly manual carefully, so you can get the most enjoyment from your new piano.

### BOX CONTENTS

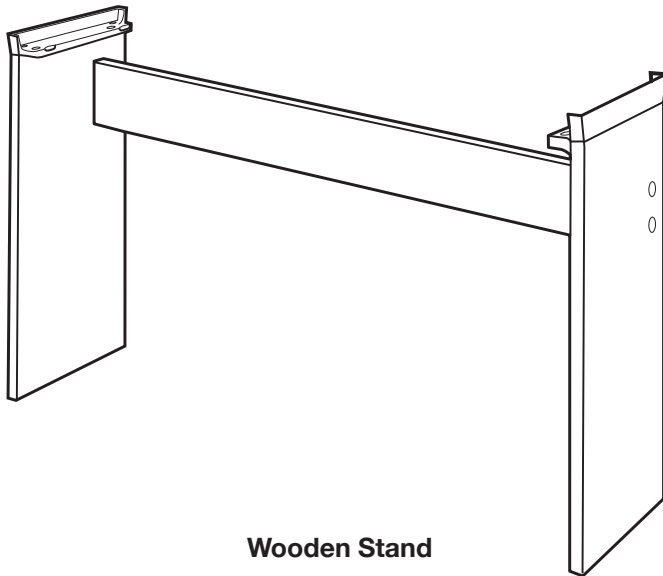
The Williams Allegro III In-Home Pack should contain the following:



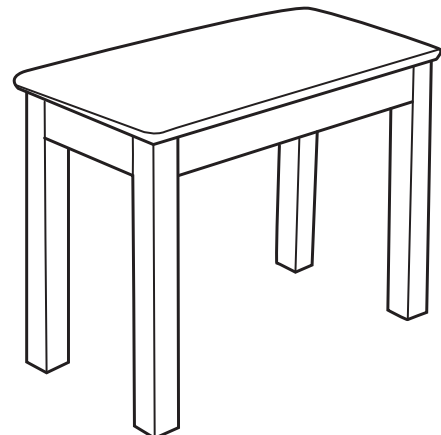
**Allegro III Digital Piano**



**Piano-style Sustain Pedal**



**Wooden Stand**



**Piano Bench**

# ASSEMBLY INSTRUCTIONS

## Stand Parts and Hardware

A. M6 Barrel Nuts (x4)



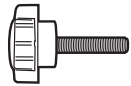
B. M6x40 Bolt Screws (x4)



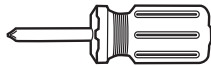
C. Screw Caps (x8)



D. M5x25 Hand Bolts (x4)



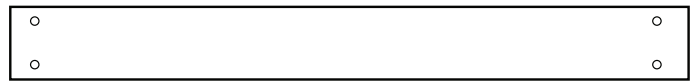
E. Phillips head screwdriver  
(Not included)



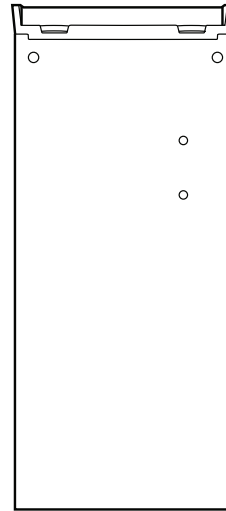
F. Extra hardware



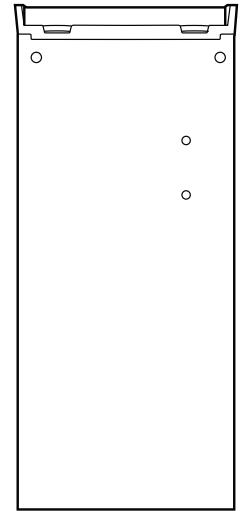
(1) Crosspiece



(2) Left Leg



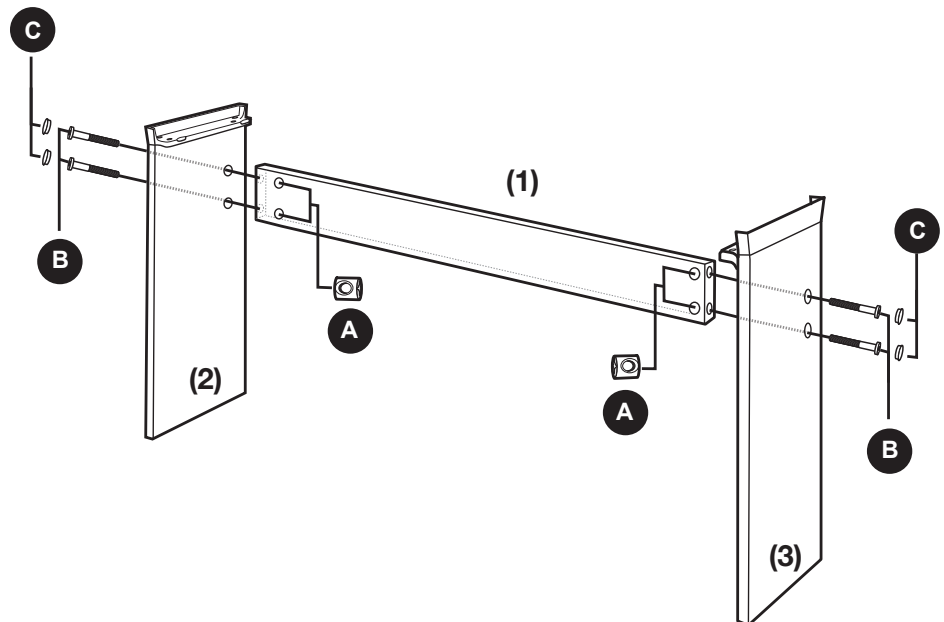
(3) Right Leg



## Stand Assembly

Begin assembling the stand by attaching the legs to the crosspiece.

The overall view of the assembly image is on the right.

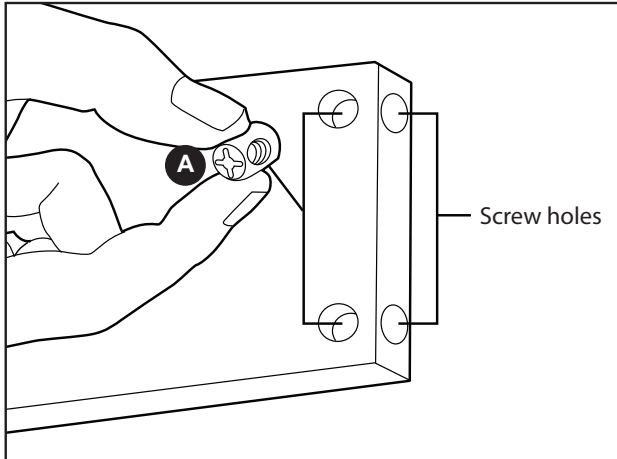


# ASSEMBLY INSTRUCTIONS

## Attaching Legs to Crosspiece

### Step 1

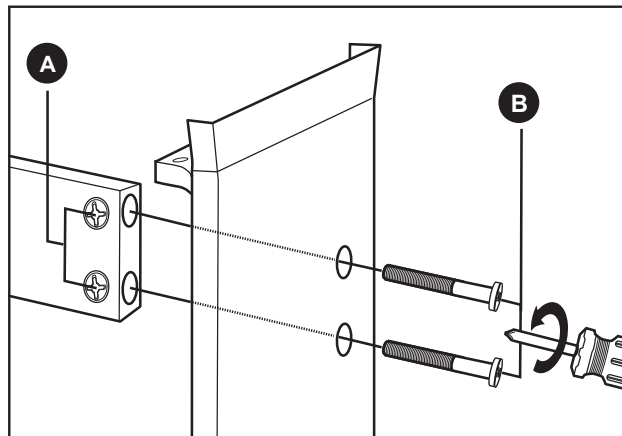
Put the barrel nut (A) into the crosspiece as shown, making sure to align barrel nut threads with screw hole.



### Step 2

Tighten until the crosspiece is flush with the leg brackets and the legs are firmly attached.

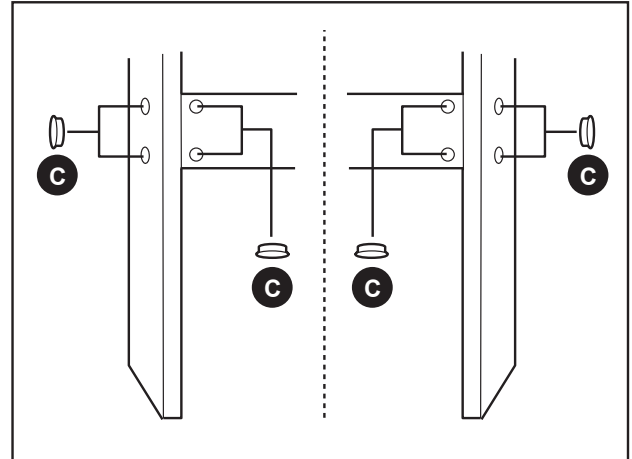
*(Please make sure to properly fasten the bolt (B) through the leg and into the barrel nut. To avoid any cross threading use two screw drivers, one to hold the barrel nut steady and one to screw the bolt into the barrel nut.)*



## Finishing Touches to Stand Assembly

### Step 3

After attaching legs to the crosspiece, place screw caps (C) over all of the 8 tightened bolt screws.

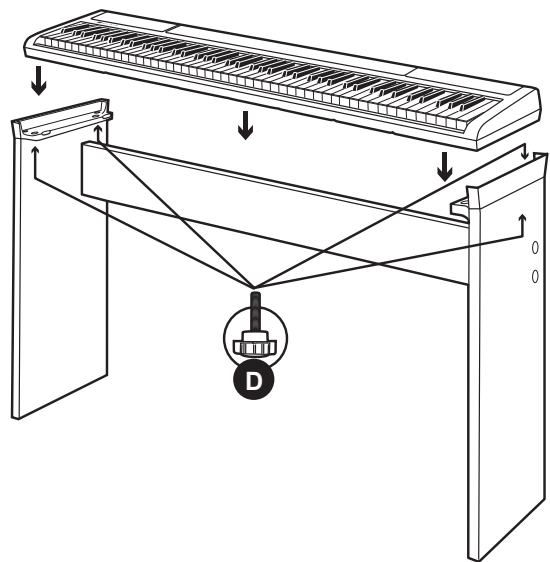


## Attaching Piano to Stand

### Final Step

Lift the piano onto its stand and align the holes in the stand legs with the holes on bottom of the piano.

Insert the hand bolts (D) into each hole to attach the piano to its stand as shown in the insert picture.




# ASSEMBLY INSTRUCTIONS


## Bench Assembly


1. Insert part A into the side of the bench leg, then drop a wooden dowel (C) into the top of the legs. The dowel will go through the hole in part A to keep it from spinning.

2. Attach the washer, lock washer, and nut (B) to bolt (A). Tighten using the included wrench (D). Repeat for the other three legs.

A. M8 Bolts (x4) 

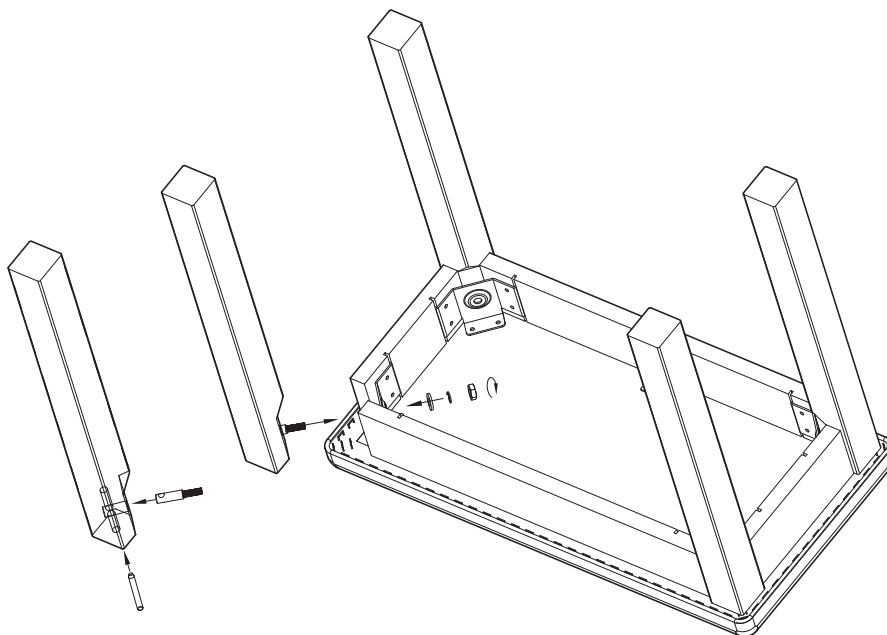
B1. Flat Washer (1.8+<sub>-0.2</sub>) (x4) 

B2. Spring Washer (x4) 

B3. M8 Nut (x4) 

C. Dowel Pin (x4) 

D. Wrench (x1) 



## Final Step

1. Plug the included sustain pedal into the "Sustain" jack on the back of the piano

2. Please refer to the included Allegro III Reference Manual for operation of the rest of the piano.



MISSING  
—OR—  
DAMAGED  
PARTS?

HAVE QUESTIONS?  
CALL  
888-241-1582  
TOLL FREE

—HAVE—  
ASSEMBLY  
QUESTIONS?