






Williams Piano Bench Assembly Instructions



www.williams pianos.com

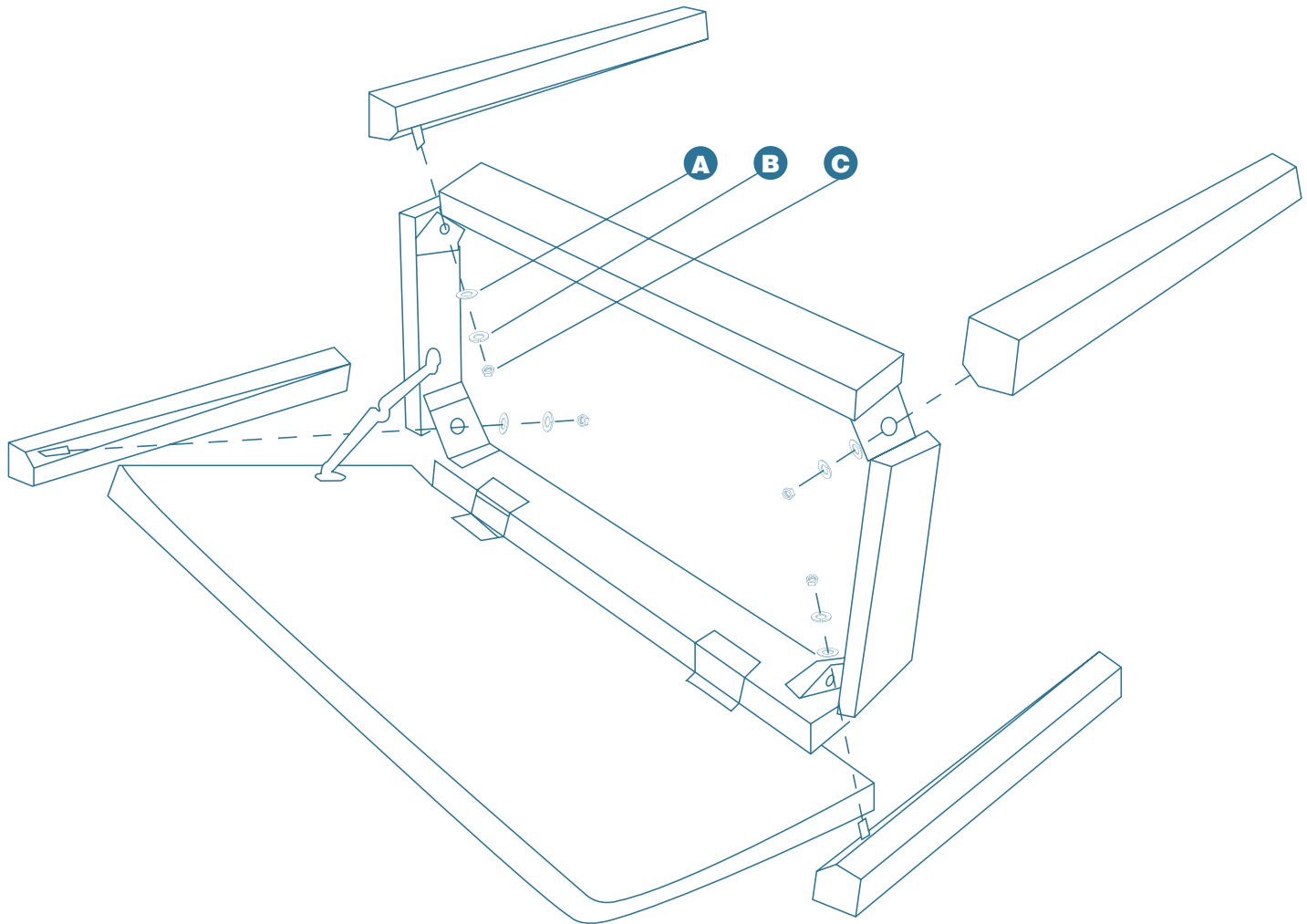
Before enjoying your new Williams piano bench, take a moment to read this simple assembly sheet. Follow these instructions, and you'll be using your new bench in just a few short minutes.

- A**  (Washer 4x)
- B**  (Lock Washer 4x)
- C**  (Hex Nut 4x)

ASSEMBLY

Tool required: Wrench (Included) 

- 1.) Assemble bench on a sturdy surface.
- 2.) Orient the bench as shown. Be careful not to pinch fingers in lid during assembly.
- 3.) Pay careful attention to assembly order of **A**, **B**, & **C**.
- 4.) Tighten bolts.



Technical specifications and appearance are subject to change without notice. The information contained herein is correct at the time of printing. Williams accepts no liability for any loss which may be suffered by any person who relies either wholly or in part upon any description, photograph or statement contained herein. Colors and specifications may vary slightly from product. Products are sold through our authorized dealers only. Distributors and dealers are not agents of Williams and have absolutely no authority to bind Williams by any express or implied undertaking or representation. No part of this manual may be reproduced or transmitted in any form or by any means, electronic or mechanical, including photocopying and recording of any kind, for any purpose, without the express written permission of Williams.