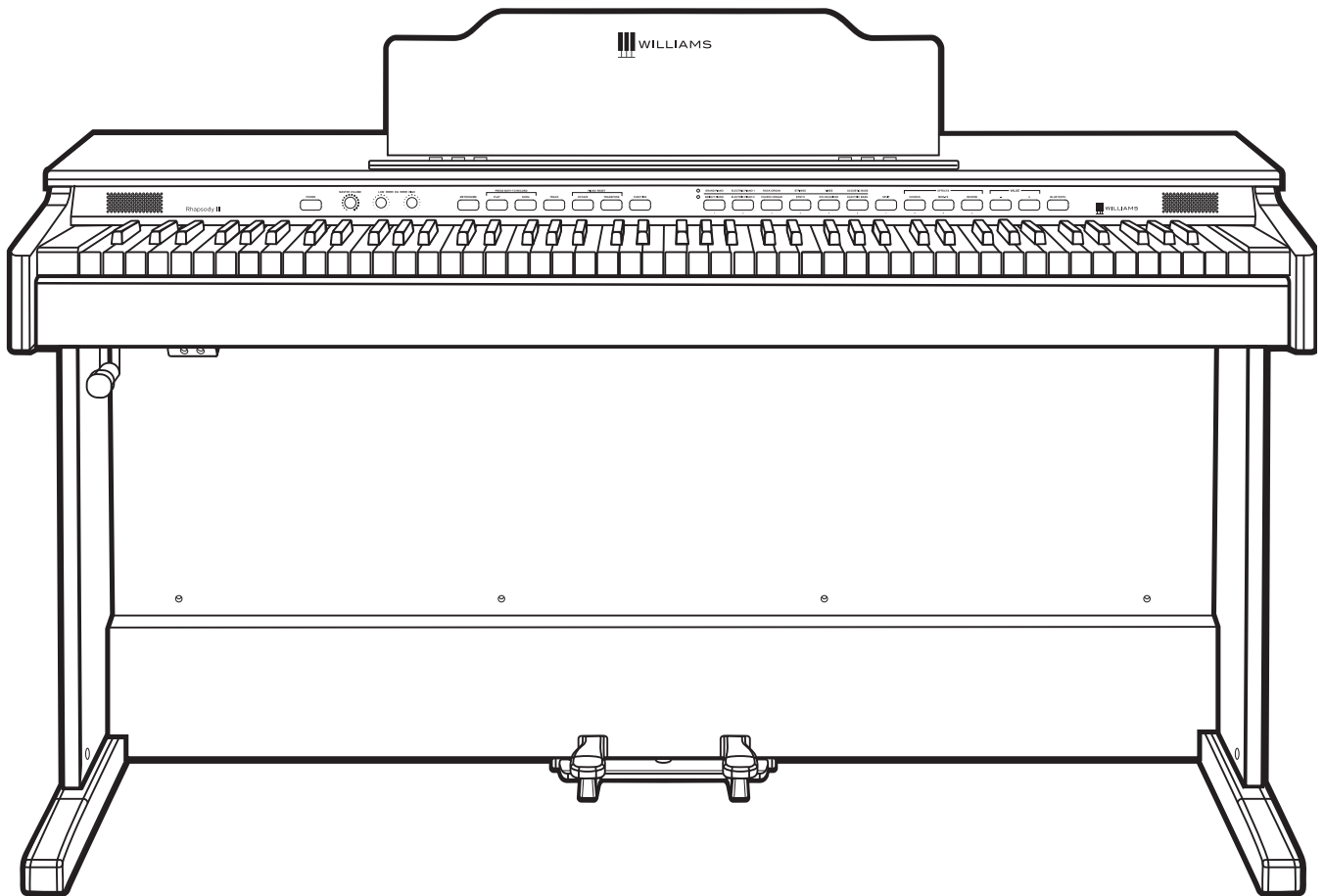




WILLIAMS

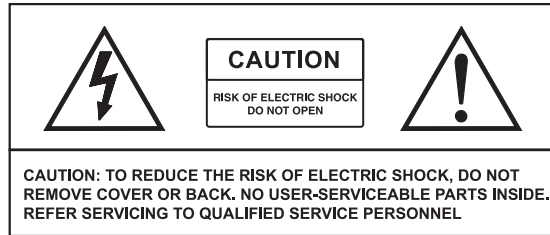


RHAPSODY III

DIGITAL PIANO WITH BLUETOOTH® AUDIO

OWNER'S MANUAL

IMPORTANT SAFETY INSTRUCTIONS




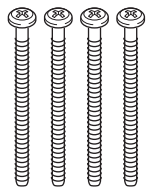

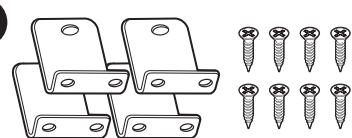
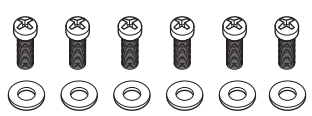

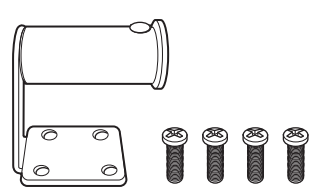
- Do not use near water.
- Clean only with a soft, dry cloth.
- Do not block any ventilation openings.
- Do not place near any heat sources such as radiators, heat registers, stoves, or any other apparatus (including amplifiers) that produces heat.
- Do not remove the polarized or grounding-type plug.
- Protect the power cord from being walked on or pinched.
- Only use the included attachments/accessories.
- Unplug this apparatus during lightning storms or when unused for a long period of time.
- Refer all servicing to qualified service personnel. Servicing is required when the apparatus has been damaged in any way, such as power-supply cord or plug is damaged, liquid has been spilled or objects have fallen into the apparatus, the apparatus has been exposed to rain or moisture, does not operate normally, or has been dropped.

FCC STATEMENTS

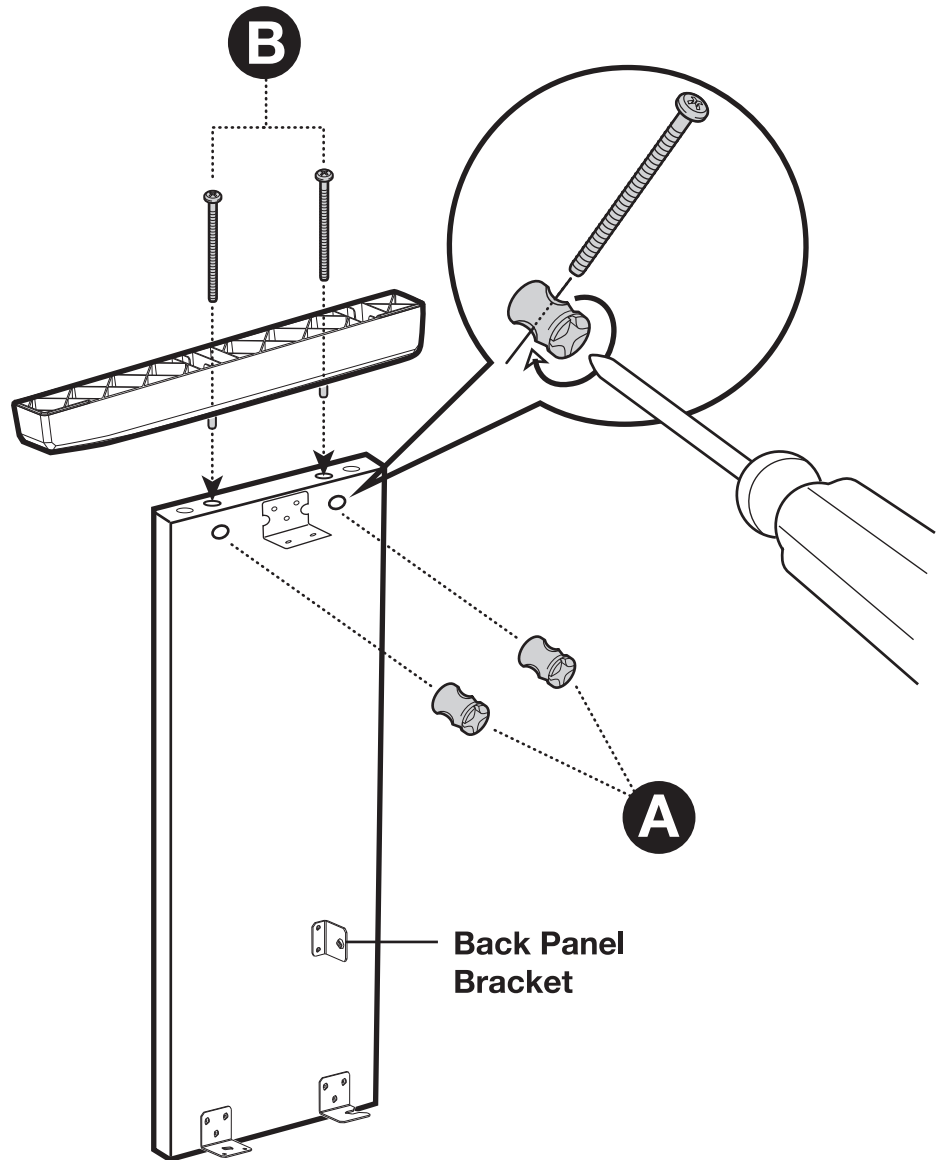
1. Caution: Changes or modifications to this unit not expressly approved by the party responsible for compliance could void the user's authority to operate the equipment.
2. NOTE: This equipment has been tested and found to comply with a Class B digital device, pursuant to Part 15 of the FCC Rules. These limits are designed to provide reasonable protection against harmful interference in a residential installation. This equipment generates, uses, and can radiate radio frequency energy and, if not installed and used in accordance with the instructions, may cause harmful interference to radio communications. However, there is no guarantee that interference will not occur in a particular installation. If this equipment does cause harmful interference to radio or television reception, which can be determined by turning the equipment off and on, the user is encouraged to try to correct the interference by one or more of the following measures:
 - Reorient or relocate the receiving antenna.
 - Increase the separation between the equipment and receiver.
 - Connect the equipment into an outlet on a circuit different from that to which the receiver is connected.
 - Consult the dealer or an experienced radio/TV technician for help.

ASSEMBLY INSTRUCTIONS

ASSEMBLY PARTS LIST

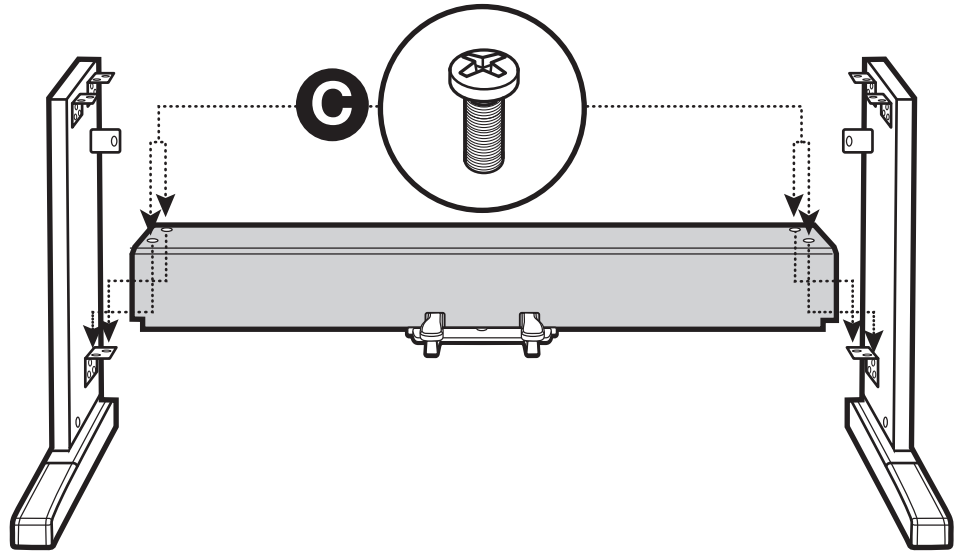
<p>A</p>  <p>(M6 Nut)</p>	<p>B</p>  <p>(M6X55)</p>
<p>C</p>  <p>(M6X16)</p>	
<p>D</p>  <p>(ST4X12)</p>	
<p>E</p>  <p>(M4X10)</p>	
<p>F</p>  <p>(M6X20)</p> <p>Two of these will already be attached to the piano console.</p>	
<p>G</p>  <p>(M4X12)</p>	

STEP 1 - Place the four Cylindrical Nuts **A (M6 Nut)** into the holes in the Stand Legs, with the screwdriver slot facing out. Use a screwdriver to align the threads in the nuts with the openings on the bottom of the Stand Legs.



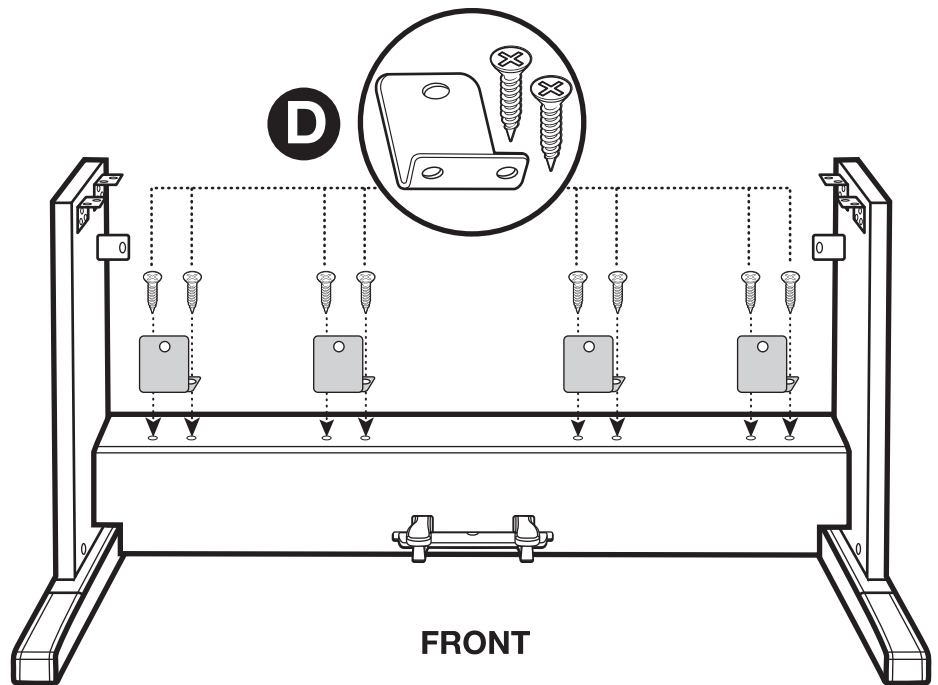
STEP 2 - Place the dowels in the feet into the appropriate holes in the bottom of the Stand Legs. Make sure that the feet are facing away from the back panel bracket as shown below. Thread two Foot Bolts **B (M6X55)** through the foot and into the cylindrical washers, rotating the washer to align if needed. Firmly tighten & repeat for the other side.

STEP 3 - Attach the piano base to the left and right legs, and secure using four **C (M6X16)** screws.



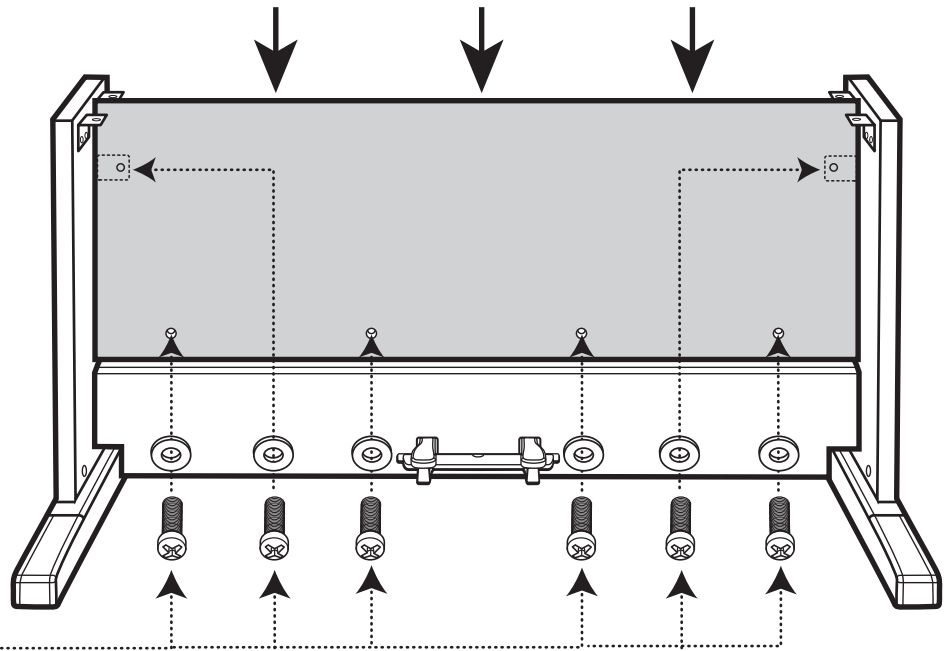
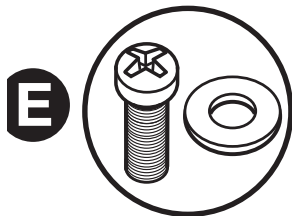
STEP 4 - Screw the four brackets **D (ST4X12)** into the piano base by following the pre-drilled holes.

The bracket should be facing the front of the piano, with the screws facing the back of the piano.



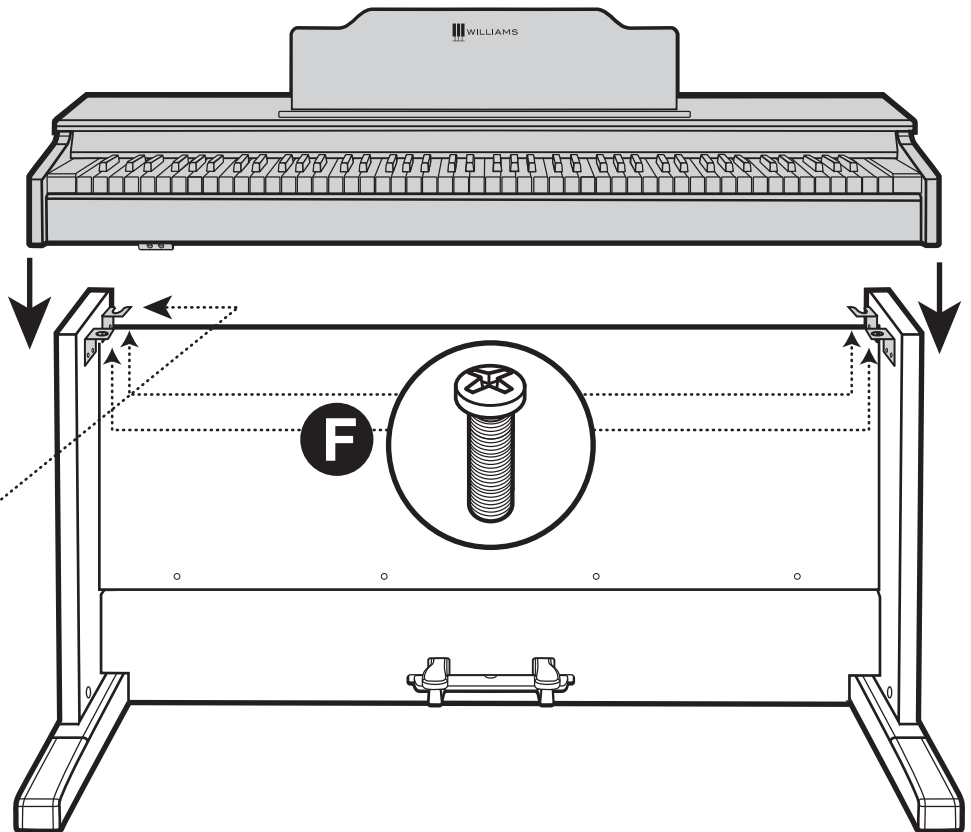
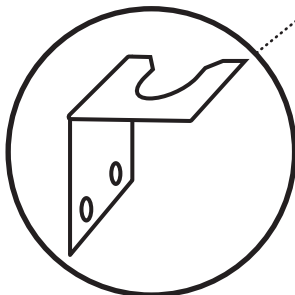
STEP 5 - Screw the modestly panel into the brackets and legs using the pre-drilled holes and included screws with washers **E (M4X10)**.

The vanity board should be on the front side of the brackets, and screws should enter through the front side of the piano.

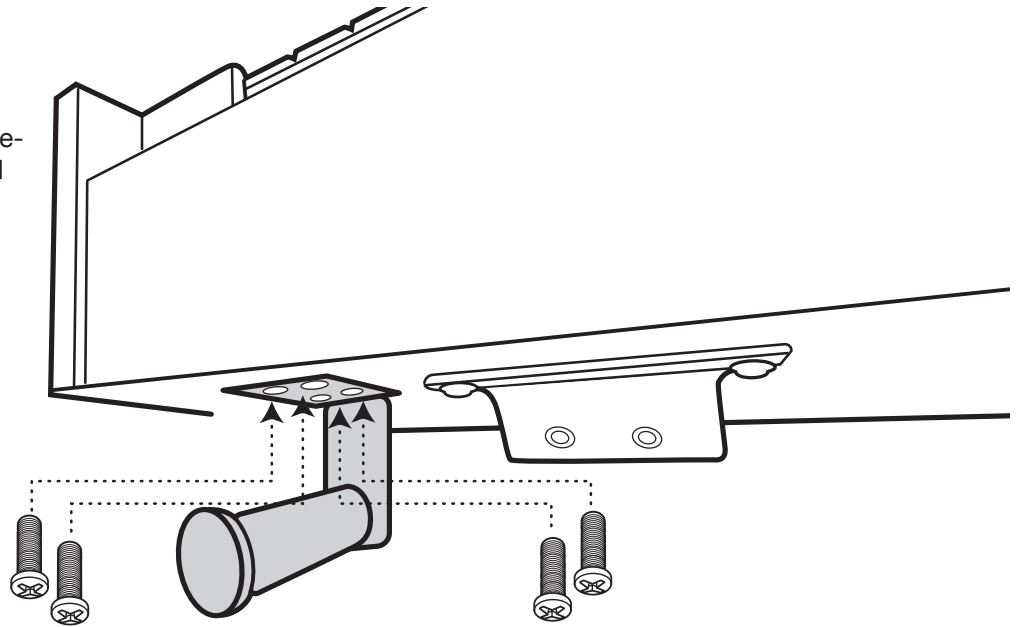
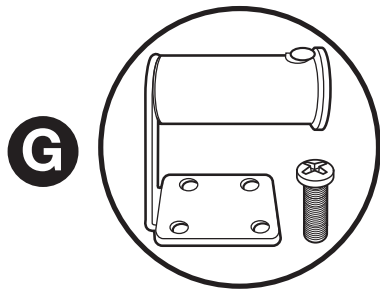


STEP 6 - Place the main piano section on top of the legs.

Locate the two large screws **F (M6X20)** on the bottom of the piano console, located toward the rear. Slip these protruding screws into the U-shaped brackets toward the rear of the stand. Use one **F (M6X20)** screw to secure each front bracket. Tighten all 4 screws.



STEP 6 - Attach the headphone hook to the underside of the piano, just to the left of the headphone output jacks by using the four pre-drilled holes and included **G (M4X12)** screws.



FINAL STEP - Plug the pedal array cable into the "Pedal" jack, and the power adapter into the "Power" jack on the back of the piano.

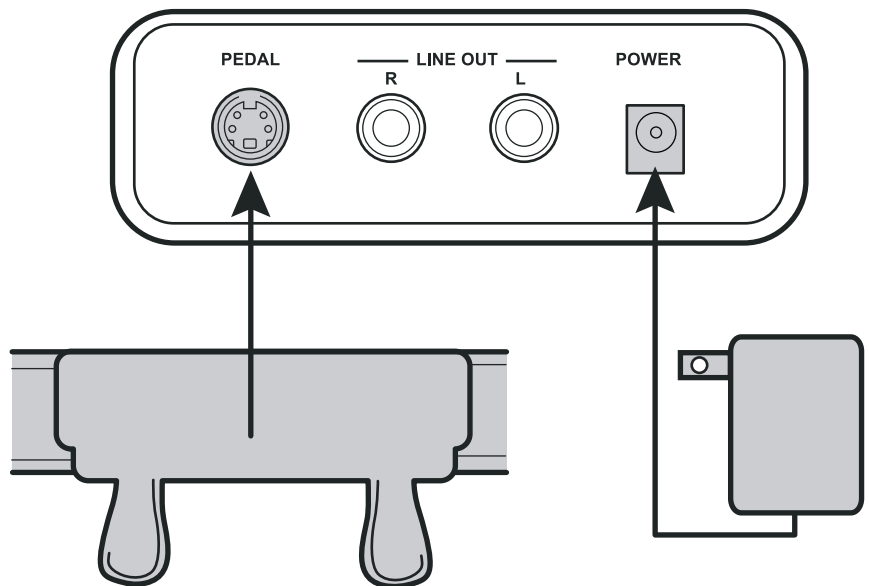


TABLE OF CONTENTS

IMPORTANT SAFETY INSTRUCTIONS.....	2	SPLIT MODE	13
ASSEMBLY INSTRUCTIONS.....	3-6	DEMO SONGS	13
INTRODUCTION.....	7	RECORDING	14
BEFORE YOU GET STARTED	7	TUNING	14
INITIAL OPERATION/QUICK START	7	EFFECTS	14
TAKING CARE OF YOUR DIGITAL PIANO	8	MODFX.....	15
FRONT PANEL	9-10	ADVANCED FUNCTIONS.....	16
BACK PANEL	11	MIDI	17
TOP PANEL	11	SPECIFICATIONS.....	18
OPERATIONS	12	KEYBOARD SHORTCUTS	18
SELECTING VOICES.....	12	MIDI IMPLEMENTATION CHART	19
LAYER MODE.....	12	WARRANTY.....	BACK PAGE

INTRODUCTION

Congratulations! You have just purchased a state of the art digital piano that provides remarkable acoustic sound and feel. We recommend that you read through this owner's manual carefully, so you can get the most enjoyment from your new piano.

Features include:

- 88 graded, weighted, velocity-sensitive keys
- 12 piano and keyboard sounds, including unlooped piano samples
- Metronome feature with variable tempo to facilitate practice or recording
- Wireless Bluetooth MIDI and Audio for connecting to tablets, smartphones, and apps

BEFORE YOU GET STARTED

Your piano was carefully packed at the factory, and the packaging was designed to protect the unit from rough handling.

- If the unit is damaged, call **Williams Product Support: (888) 241-1582**
- Use the original packing carton when storing or transporting
- Make sure children are supervised when near the piano or its packaging

INITIAL OPERATION / QUICK START

- Plug the power cord into a 110V supply
- Press the power button. The LED will light
- Press the Voice Select button for the desired voice
- Adjust the volume control



TAKING CARE OF YOUR DIGITAL PIANO

This Williams Rhapsody III digital piano will provide years of musical enjoyment if you follow the suggestions listed below.

PRODUCT SERVICING

This product should be serviced by qualified service personnel when:

- The power supply cord or the plug has been damaged
- Liquid has been spilled into the unit or it has been exposed to rain
- The instrument does not appear to operate normally or exhibits a marked change in performance
- The instrument has been dropped or the cabinet has been damaged
- Please contact support@williamspianos.com for parts and service information

HANDLING AND TRANSPORT

- Never apply excessive force to the controls, connectors or other parts of the instrument
- Always unplug cables by gripping the plug firmly, not by pulling on the cable
- Disconnect all cables before moving the instrument
- Physical shocks caused by dropping, bumping, or placing heavy objects on the instrument can result in superficial or operational damage
- Carefully check the volume control before playing. Excessive volume can cause permanent hearing loss.

CLEANING

- Clean the cabinet and panel with a soft, dry cloth. Do not use paint thinner or petrochemical based polishes
- To maintain the luster of the keys and buttons, wipe with a clean, lightly dampened cloth, and then polish with a soft, dry cloth

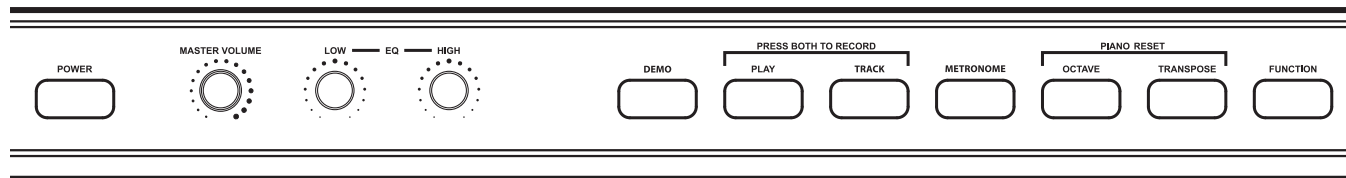
LOCATION

- To avoid deformation, discoloration, or more serious damage, do not expose the instrument to the following conditions: Direct sunlight, high temperatures, excessive humidity, excessive dust, strong vibration
- Leave enough space around the piano for proper ventilation
- This instrument contains digital circuitry and may cause or be susceptible to interference if placed too close to radio, television receivers, or mobile phones. If interference occurs, move the instrument further away from the affected equipment
- Avoid placing vinyl objects on top of the instrument, vinyl can stick to and discolor the surface.

POWER

- Turn the power off when the instrument is not in use
- To avoid damage to the instrument and other devices to which it is connected, turn the power of all related devices off prior to connection or disconnection of MIDI cables
- Turn the power off if the main cable is damaged, or the instrument has been exposed to liquid
- Do not switch the unit on and off in quick succession, as this places an undue load on the electronic components
- Unplug the AC power adapter during an electrical storm
- Avoid plugging the AC power adapter into the same AC outlet as appliances with high power consumption, such as electric heaters or ovens

FRONT PANEL (LEFT SIDE)



Power On/Off

Master Volume Knob

Controls the output volume of the piano.

EQ Low / High Knobs

Adjusts the EQ to add or subtract bass and treble.

Demo Button

Pressing the Demo button will start playing a demo song on your currently selected voice. Pressing the Voice buttons while a demo song is active will play a song on the newly selected voice.

Play Button

Pressing Play will play or stop the song you recorded.

Track Button

Pressing the Track button alternates which recording track is currently active. When pressed, the LED will light up to indicate track 2 is active, or turn off to indicate that track 1 is active. Holding down the button will delete the currently selected track, and confirm by playing a C3 note 3 times.

Record Function

Pressing the Play and Track buttons simultaneously will start the recording function.

Metronome Button

Turns on and off the Metronome. You can adjust the volume, tempo, and meter of the metronome by following the instructions on page 12.

Octave Button

Transposes the range of the piano keys 1 octave higher or lower.

Transpose Button

Transposes the key of the piano.

Piano Reset

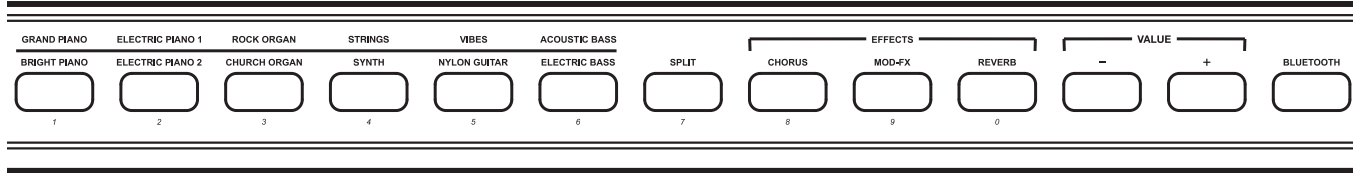
Pressing the Octave and Transpose buttons simultaneously will reset the sound to factory settings. Holding these while powering up the piano will return all settings to their defaults.

Function Button

Selects various functions in the Piano.



FRONT PANEL (RIGHT SIDE)



Voice Select Buttons

(GRAND PIANO/BRIGHT PIANO, ELECTRIC PIANO 1/ELECTRIC PIANO 2, ROCK ORGAN/CHURCH ORGAN, STRINGS/SYNTH, VIBES/NYLON GUITAR, ACOUSTIC BASS/ELECTRIC BASS)

Pressing these buttons once will switch to the sound that is associated with the name printed above the button, and pressing the same button again will switch to the sound that is associated with the name printed below the button. The white LEDs to the left of the Voice Select buttons will indicate whether the top or bottom sound is activated. Quickly double tapping one of these buttons will layer both the top and bottom sound.

SPLIT Button

Splits the keyboard between right and left side.

Chorus Button

Turns on and off the Chorus effect assigned to the voice.

ModFX Button

Turns on and off the Modulation effect assigned to the voice.

Reverb Button

Turns on and off the Reverb effect assigned to the voice.

Value + / - Buttons

Adjusts the settings of various functions.

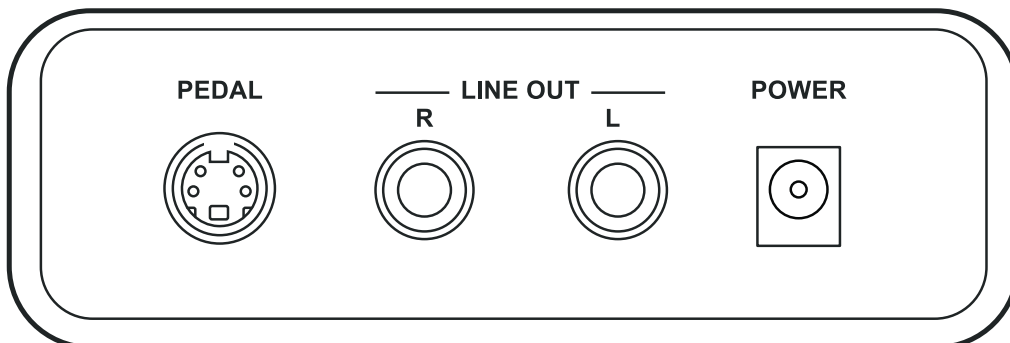
Bluetooth Button

Turns on and off the ability to pair with Bluetooth devices.

10-Key Function

Note that the buttons on the right side of the piano form a 10-key pad. Grand Piano is 1, Electric Piano 1 is 2, etc. These buttons can be used to enter values on the piano, such as metronome tempo.

BACK PANEL



Pedal Input

Connects the built-in Sustain and Sostenuto pedals located at the bottom of the piano.

Outputs-Stereo/ Mono Line Out 1/4" Jacks

The output jacks supply a line-level signal for external amplification. Use both jacks for stereo or just the Left jack for mono.

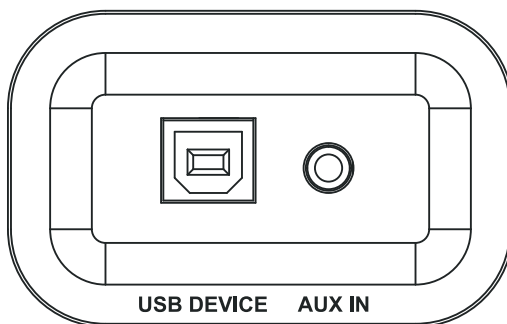
AC Adapter Input

Connection for the AC power adapter.

Headphones (x2)

The headphone jacks allow playing in silence. When headphones are plugged in, the speakers are mute. This jack is located on the bottom panel of the piano.

TOP PANEL



USB Input

The USB connection supports Class Compliant MIDI Drivers to use with MIDI Sequencer applications.

Aux In Jack

The 1/8" TRS Jack on the top panel allows the user to plug in an mp3 or audio device to play music through the piano speaker.



OPERATIONS

Most of the front panel buttons are very straight forward and easy to select for general functions. In cases where you want to edit settings in more depth you will need to use the front panel buttons as well as the Function button and Value buttons to change parameters.

Powering on Rhapsody III

Press the POWER button in the upper left hand corner of the front panel. The LED light in the button will stay on when the piano is on. This product has a power standby mode. If the piano turns off while you are not playing it, this is likely due to the Power mode being set to Auto Power off. To turn off this function, hold the Function button and press F#2 on the keyboard (below middle C). The piano will automatically play middle C twice to confirm your selection.

SELECTING VOICES

The Rhapsody III piano has 12 built-in voices. Each voice may be selected one at a time. They can be layered to produce two voices at once, or assigned to the left or right hands in the split mode.

To select a voice, press the Voice Select button that relates to the sound listed above the button. The button will light and the LED indicator to the left of the voice list will indicate whether the top or bottom voice is selected

Simply press the corresponding button again to switch back and forth between the original voice and variation voice.

#	ORIGINAL VOICE	VARIATION VOICE
1	Grand Piano	Bright Piano
2	Elec Piano 1 (Tine)	Elec Piano 2 (Reed)
3	Rock Organ	Church Organ
4	String Pad	Synth Pad
5	Vibes	Nylon Guitar
6	Acoustic Bass	Electric Bass

LAYER MODE

To layer two sounds, press the corresponding voices simultaneously. For example, hold GRAND PIANO and press STRINGS to hear piano and strings layered together. Both voice LEDs will light up to indicate that they are layers.

To layer a sound with a variation:

1. Press and hold the first sound button e.g. GRAND PIANO)
2. Press the layer sound button (e.g. STRINGS)
3. Still holding the first button (GRAND PIANO), press the layer sound button again to switch to the variation (SYNTH). To return to normal, single voice mode, press a single Voice button.

To layer a sound with it's own variation (e.g. Tine E Piano and Reed E Piano):

1. Press the Voice Select button twice. The button will flash to indicate the layer.

To change the Voice or Layer Volume Level:

1. Press and hold #1 on the number pad (Grand Piano) to adjust the main voice, or #2 on the number pad (Electric Piano) to adjust the layered voice.
2. Press the + and - Value buttons to adjust the layer volume.

SPLIT MODE

Split Mode allows the keyboard to be divided into two sections so that different voices may be played with the left and right hands. The volume may be independently adjusted for each voice, the Split Point (the highest note played with the left hand) may be adjusted and the Split Voice may be changed as desired.

To Enter Split Mode

Press the [SPLIT] button. The Split (left hand) voice will be the last Split Voice used and the Split Point will be B2 (just below middle C.)

To Change the Lower Split Volume

To adjust the lower split volume, press and hold the Split button and press the Value + and Value – buttons.

Change the Split (Left Hand) Voice

Press and hold the Split button while depressing the desired Voice Select button.

Change the Main (Right Hand) Voice

Simply press another Voice Select button.

Change the Split Point

Hold the Split button and then press a key on the keyboard to determine the split point. This key will be the top key of the lower split.

To Change the Split (Left Hand) Octave

When Split mode is on, changing the octave adjusts the lower split. Press and hold the Octave button then press the Value + or Value – button.

To Turn Off Split Mode

Press the Split button. The Split Button LED will switch off to show that it is disabled.

DEMO SONGS

The Rhapsody III comes with 12 demo songs as well as the ability for you to play and record your own song. When you record your own song the recording will be retained until you either record a new song or if you reset the Rhapsody III back to factory settings.

To Play A Demo Song

Simply press the Demo button to have the Rhapsody play a song on your currently selected voice. Pressing the Voice buttons while a demo song is active will play a song on the newly selected voice.

Metronome Function

Press the Metronome button to turn on the metronome. The LED will light. You will hear the click in headphones or speakers. Press the Metronome button again to exit metronome function. The LED will turn off.

To Change Metronome Time Signature

1. Press and hold the Metronome button, then press and hold one of the 10-key buttons on the right side of the panel. For example, for 3/4 meter hold the Metronome and 3 (Organ) buttons for two seconds. See the chart below for details.

PRESS AND HOLD	RESULT
1	None
2	2/4 or 2/8
3	3/4 or 3/8
4	4/4 or 4/8
5	5/4 or 5/8
6	6/4 or 6/8
7	7/4 or 7/8
8	Quarter (x/4) or Eighth (x/8) meter
9	9/4 or 9/8
10	None



2. For an eighth meter (6/8, 7/8, etc), press and hold the metronome and 8 (ModFX) buttons.
To switch back to quarter meters, hold the Metronome button and press and hold 8 again.

The default meter is 4/4. The following options are available: 2/4, 3/4, 4/4 (default), 5/4, 6/4, 7/4, 9/4, 2/8, 3/8, 4/8, 5/8, 6/8, 7/8, 9/8.

To Change the Metronome Volume

To adjust the volume of the metronome in balance with the piano sound, press and hold Metronome and press the Value + or Value – button.

Metronome Tempo Setting

While the metronome is on, pressing the Value + and – buttons changes the tempo.

To specify a tempo, press and hold the Metronome button and enter the three digit tempo using the 10-key pad. For example, hold Metronome and press 0-9-2 for 92bpm.

Transpose Function

To transpose the piano keyboard by +12 or -12 semitones, press and hold the Transpose button and play a key around middle C of the keyboard. Transpose + middle C is no transposition. Transpose + Eb above middle C transposes the piano sharp by 3 semitones.

The button will light up to show that the feature is active. To disable transposition, press the Transpose button.

Octave

To transpose the piano up or down by one octave, press and hold the Octave button then press the Value + or Value – button. The button will light up to show that the feature is active. To disable transposition, press the Octave button.

Piano Reset

If you want to quickly reset the keyboard to factory settings, you can do this by holding down the Octave and Transpose button while powering on the piano. Wait for the lights to flash once before releasing the Octave and Transpose buttons.

RECORDING

Recording Your Own Song

1. Press the Play and Track buttons simultaneously.
2. Once you start playing, the Play and Track LEDs will flash to indicate that the recording has started.
3. When you finish playing, press the TRACK and PLAY buttons again to stop the recorder, or you can press PLAY only to stop the recorder and hear your song.

Changing Recording Tracks

The Rhapsody III includes two separate tracks for recording. In order to change tracks, simply press the Track button. The Track button's LED will be unlit to indicate that track 1 is selected, and will light up to indicate that track 2 is selected. Holding down the Track button will delete your currently selected track, and will confirm by playing a C3 note three times.

TUNING

To Change Piano Tuning

You may need to adjust the tuning of the piano by a few cents to match an acoustic instrument or recording. To do this, hold the Transpose button and press the Value + or Value – buttons.

EFFECTS

The Reverb, Chorus and ModFX effects may be applied to each voice individually and will be retained even when the power is turned off.

To apply these effects, press the associated button. The button will light and the effect will be heard when the piano is played.

To turn off the effect press the button of the desired effect again and the LED light will go off.

Reverb, Chorus, and ModFX settings are set per Instrument and retained over power cycling.

Reverb

The reverb effect makes the piano sound like it is in a large room. To change the reverb mix amount, hold the Reverb button and press the Value + or Value – buttons.

Chorus

Chorus effects add shimmering movement to a voice. The setting can be subtle to extreme. To change the Chorus depth, hold the Chorus button then press the Value + or Value – buttons.

MODFX

Modulation effects are designed to add unique playable sound effects to voices.

In addition to the sounds, the Rhapsody III has a new effects section that will allow users to have more control over their sounds called ModFX.

These new effects will be inserted into the audio pathway of the sound to the mixer and will be preset into the Patch. When you switch on the specific patch a preset effect will be associated with the sound. You can then select whether the effect should be turned off or modified.

The ModFX Are:

#	VOICE	MODFX
1	Grand Piano	Mono Tremolo
1	Bright Piano	Mono Tremolo
2	Electric Piano 1	Stereo Tremolo
2	Electric Piano 2	Stereo Tremolo
3	Rock Organ	Rotary Fast/Slow – Change with Sustain Pedal
3	Church Organ	Mono Tremolo
4	Strings	Mono Tremolo
4	Synth	Stereo Tremolo

#	VOICE	MODFX
5	Vibes	Mono Tremolo
5	Nylon Guitar	Mono Tremolo
6	Acoustic Bass	Mono Tremolo
6	Electric Bass	Mono Tremolo

To turn on the ModFX function for an instrument press the ModFX button. The effect will become active and the ModFX LED will light.

To turn off the ModFX, press the button again. The LED on the button will turn off.

Rotary

There is a rotary effect, which is designed for the Rock Organ voice. To select the speed of the rotary, press the sustain pedal with your foot. Holding down the pedal will speed up the rotary voice to a tremolo. When the pedal is released, the speed of the tremolo will slow down to a chorale setting.

Tremolo

When the ModFX effect is active, the Electric Piano voices and synth voice will receive a stereo tremolo effect. All other voices (aside from Rock Organ) have a mono tremolo effect.

To Change The Tremolo Depth:

To adjust the tremolo depth, hold the ModFX button and press the Value + or Value – buttons.

EQ Level Setting

Use the EQ Low and High knobs to change the EQ for the piano.

Note on Effects

There are more settings available for changing effects settings in the Williams Piano app for iOS. It is available on the Apple App Store.



ADVANCED FUNCTIONS

BLUETOOTH

Audio

The Rhapsody III is capable of wireless connection to personal devices via Bluetooth. When a device is paired, music can be played through the piano's speakers. To connect the piano to your tablet, smartphone, or computer:

1. Press the Bluetooth button. If you have not yet paired a device, the LED will flash quickly.
2. From the Bluetooth menu on your source device, select the Rhapsody III.
3. The Bluetooth button LED should stop flashing once it is paired with a device.

MIDI

The Rhapsody III includes Bluetooth wireless MIDI for connection to apps like the Williams App for iOS. To connect the piano to your tablet, smartphone, or computer:

1. Press the Bluetooth button. If you have not yet paired a device, the LED will flash quickly.
2. Open the Bluetooth MIDI settings in your app and select the Rhapsody III.

Note: Bluetooth MIDI is not configured in the Settings of your device like Bluetooth Audio. If your app supports Bluetooth MIDI, there should be a method to set this up in the app.

3. The Bluetooth button LED should stop flashing once it is paired with a device.

To disable Bluetooth, press the button again so that the LED switches off. Bluetooth MIDI allows you to connect with piano learning apps on a variety of devices.

NOTE: Bluetooth Audio and MIDI can NOT be used simultaneously.

Auto Power Save

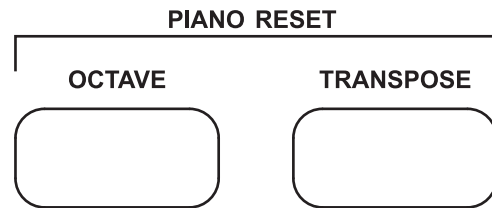
The Rhapsody III has a Power saving function that will shut off the Piano after 30 minutes of non-use. The default setting is Off, however if

you find you want this function to work use the steps below.

1. Press and hold the Function button.
2. Press the F#2 key (F# below middle C)

Factory Reset

Performing a Factory Reset will clear all battery backed memory and restore all functions to factory defaults.



1. Turn the Power Off.
2. Press and hold the octave and transpose buttons.
3. Turn the Power on. All of the LEDs will light up to show that the piano has been reset.

Touch Sensitivity

You can change the way the keyboard reacts to your playing by adjusting the Velocity curve settings.

1. Press and hold the Function button.
2. Press F#1, G#1, A#1, or C#2 to select between Low, Normal, High, or Fixed velocity curves. Refer to the chart below.

F#1	Low Velocity
G#1	Normal Velocity
A#1	High Velocity
C#2	Fixed Velocity

The default fixed velocity is 100. Press Function and + or - to change it from 1 to 127.

MIDI

The Musical Instrument Digital Interface (MIDI) is an industry-standard protocol that enables electronic musical instruments such as keyboards, computers, drum machines, etc. to communicate, control, and synchronize with each other. MIDI transmissions consist of electronic codes that communicate notes to be played, the instrument, pitch or intensity that notes are to be played with, and controlling codes such as volume, vibrato, cues and clock signals. The Rhapsody III has several functions that facilitate its use as a MIDI device or controller.

MIDI Channels

The Rhapsody III has 16 channels numbered from 1-16. Each of the channels is responsible for a voice. When the instrument receives MIDI information from an external device, the active channel is determined by the control message.

The transmission channels are fixed as follows:

Channel 1 - Master voice (keyboard)

Channel 2 - Split voice (keyboard)

Channel 3 - Layer voice (keyboard)

Local On/Off

Turning the Local On/Off function to “Off” will disconnect the keyboard from the internal sound engine of the piano. The Rhapsody III may then be used as a MIDI controller to control other MIDI devices or virtual instrument software running on a computer, without playing the sounds on the piano. Additionally, it may be desirable to turn local playing off for other requirements such as when using MIDI sequencing software on your computer.

Local On/Off Setting

1. Press and hold the Function button.
2. Press the D#1 key. When D#1 is first pressed the current setting is confirmed by the piano playing a C3 note once for on and twice for off. Pressing D#1 again will change the setting playing a C3 note the amount of times equivalent to the new setting.

Multitimbral Mode

The Rhapsody III is able to receive MIDI information on up to 16 channels simultaneously. If you plan to use your piano with a multitrack MIDI recording system, you can record up to 16 different parts using the Williams Rhapsody voices, each played back individually on different MIDI channels. To ensure your recorded part is played back with the correct voice make sure to press the voice button first and play your part second.

NOTE: Because the Rhapsody is receiving playback information via MIDI, the currently selected voice on the piano may not correspond to the voice being played back.

MIDI Channel Modes

1. Press and hold the Function button.
2. Pressing A#0 allows you to change the MIDI channel. The main piano sound will play Piano 1 C3 the amount of times equivalent to the current value. So, if MIDI channel 5 is selected it will play 5 times. You then press A#0 five times to select channel 10. Piano 1 C3 will play the amount of times equivalent to the current setting, after 2 seconds of inactivity. Once 16 is reached, pressing one more time will select 1.

MIDI Panic Reset

1. Press and hold the Function button.
2. Pressing C#1 triggers “MIDI Panic” which sends out general MIDI reset messages such as all note off, etc. Once Panic reset has been completed, the piano will automatically exit Edit mode.

Memory Autosave

When modifying the settings of the Williams Rhapsody III the following settings will be saved after you turn off the keyboard: Reverb, Chorus, ModFX (for each voice), Main Volume, Layer Volume, Split Point, Split Volume, MIDI Channel, Velocity Curve, Split Octave, and Auto Power Off.



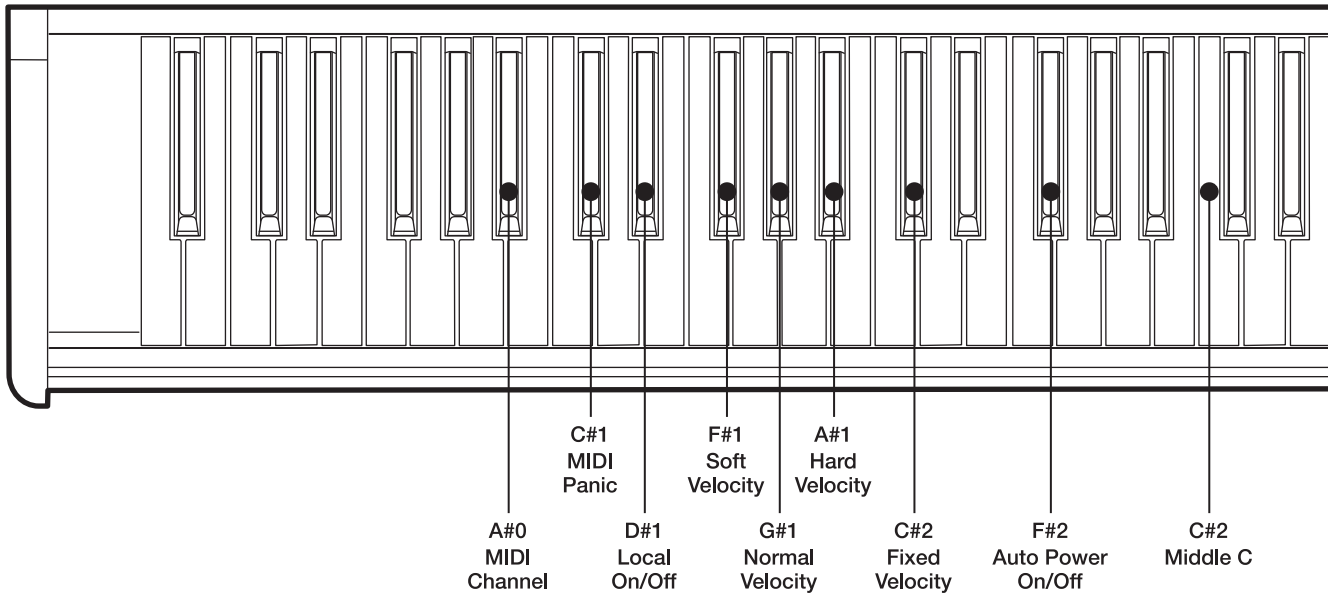
SPECIFICATIONS

Keyboard	88 graded, weighted, velocity-sensitive keys
Voices	12
Polyphony	96
Voice Control	Layer, Touch, Split, Metronome
Pedals	Sustain and Sostenuto Pedals
Demo Songs	12
MIDI Transmission	USB, Bluetooth
Connectors	USB, DIN connection cable, Aux In, Line Out (L/R), Phones
Dimensions	(WxDxH) 54.1" x 16.3" x 31.1"
Weight	94.8 lbs.
Supplied	AC Power Adapter, Owners Manual,

KEYBOARD SHORTCUTS

FUNCTION MODE:

Press and hold Function, then Press one of the keys below.



MIDI IMPLEMENTATION CHART

Function		Transmitted	Recognized	Remarks
Basic Channel	Default	1-16 CH	1-16 CH	
	Changed	X	1-16 CH	
Mode	Default	Mode 3	Mode 3	
	Messages	X	X	
	Altered	*****	X	
Note Number		0~127	0~127	
	True Voice	*****	0~127	
Velocity	Note ON	O 9nH,v=1~127	O 9nH,v=1~127	
	Note OFF	O 8nH,v=0	O 9nH,v=0 or 8nh	
After Key's		X	X	
Pitch Bender		X	O	
Control Change:	0, 32	X	O	Function
	1	X	O	Modulation
	6	X	O	Data Entry
	7	O	O	Volume
	10	X	O	Pan
	11	X	O	Expression
	64	O	O	Sustain
	66	X	O	Sostenuto
	67	O	O	Soft Pedal
	80, 81	X	O	DSP Type
	84	X	O	Portamento
	91, 93	X	O	DSP Depth
	98, 99	X	O (*2)	NRPN LSB, MSB
	100, 101	X	O (*1)	RPN LSB, MSB
	121	O	O	Reset All Controllers
Program Change:		O 0-127	O 0-127	
	True	0-127	0-127	
System Exclusive		X	O	
System	:Song Position	X	X	
	:Song Select	X	X	
Common	:Tune	O	X	
Aux	:Local ON/OFF	O	O	
	:All Notes OFF	O	O	
Messages	:Active Sense	X	X	
	Reset	O	O	

Mode1: OMNI ON, POLY Mode2: OMNI ON, MONO O: Yes
 Mode3: OMNI OFF, POLY Mode4: OMNI OFF, MONO X: NO

*1: Registered parameter number:
 #0: Pitch sensitivity
 #1: Fine tuning in cents
 #2: Coarse tuning in half-tones

*2: NRPN 1220h select IFX type
 0: off
 1: slow rotary
 2: fast rotary
 3: auto_pan
 4: auto_tremelo

NRPN 1230h Enable IFX for current track
 NRPN 1237h set global reverb send level if IFX have been enable on this track
 NRPN 1238h set global chorus send level if IFX have been enable on this track



WARRANTY

Williams provides the following limited warranty, to the original purchaser: this piano is warranted to be free from electronic and/or structural defects in materials and workmanship for a period of one (1) year from the date of original purchase. If this Williams piano is defective, at its option during the warranty period, subject to the terms of this limited warranty and upon proof of purchase, Williams will either repair or replace the listed piano with a same or similar model of equal age or newer. Any repairs or modifications must be completed by Williams and/or an authorized agent of Williams. The warranty obligations as set forth herein shall be performed free of charge with the exception of all delivery and shipping expenses. This limited warranty will not apply to this product in the case of misuse, abuse, neglect, alterations, normal wear and tear or other circumstance not directly attributed to electronic and/or structural defects in materials or workmanship. Without limiting the foregoing, this limited warranty will also be inapplicable to products that have not been maintained or replaced in accordance with the manufacturer's instruction, or to products from which the serial number has been removed or altered. If covered defects are found, contact your authorized Williams dealer with regard to the alleged defect within ten (10) days of discovery of the problem.

The foregoing repair or replacement obligation for defective products shall be the sole and exclusive remedy of this limited warranty. All warranties including, but not limited to, the express warranty and the implied warranties of merchantability and fitness for a particular purpose are limited to the one (1) year warranty period. Some states do not allow limitation on how long an implied warranty lasts, so the above limitation may not apply to you. There are no express warranties beyond those stated here. In the event that applicable law does not allow the limitation of the duration of the implied warranties to the warranty period, then the duration of the implied warranties shall be limited to as long as is provided by applicable law. No warranties apply after that period.

Retailer and manufacturer shall not be liable for damages based upon inconvenience, loss of use of product, loss of time, interrupted operation or commercial loss or any other incidental or consequential damages including but not limited to lost profits, downtime, goodwill, damage to or replacement of equipment and/or property.

